

These LED lights are certified for use on sail or power driven vessels under 20 meters (65.6 ft.) in length operating on a nominal 12 volt system. When properly installed, these lights will comply with A.B.Y.C. Standards C-5 and A-16, EN ISO 19009, '72 COLREGS and the U. S. Inland Rules. The following must be adhered to:

MOUNTING INFORMATION

Read all instructions before proceeding

For information on proper light selection, positioning and configuration, refer to A.B.Y.C. Standards C-5 and A-16 (1), the '72 COLREGS, and the U.S. Inland Rules (2).

Consider the placement of the light to give correct positioning of the light on the boat.

To ensure the correct optical performance of the lights:

- Mount the white masthead light on a horizontal surface on the centerline clear of all other lights with the symbol (⇒) parallel to the boat centerline with the LED lights pointing to the bow. On boats less than 12 meters in length, mount at least 1 meter above the sidelights. On boats 12 meters in length and above but less than 20 meters in length, mount no less than 2.5 meters above the gunwale, and at least 1 meter above the sidelights.

Base Mount Installation

1. At selected location, draw a 6 inch line perpendicular to the fore/aft centerline.
2. Mounting holes are used to obtain correct alignment. Mount lights with holes at right angles to boat centerline. Place the mounting base on the drawn line such that the line is visible through the center of each of the mounting holes and the symbol (⇒) points toward the bow.
3. Mark the mounting surface through the mounting holes, remove the base, and drill for #10 screws.
4. Drill an electric cable hole midway between the mounting holes.
5. Bring the supply cable through the access hole in the center of the mounting base.
6. Mount base (using #10 screws) with symbol (⇒) parallel to boat centerline and pointing toward the bow.
7. Connect cables to the light - **Observe Polarity.**
8. Turn clockwise firmly until catch engages.
9. To remove the light from the mounting base once installed, separate the mounting base from the light by inserting a screwdriver blade into the catch release notch while twisting the light counterclockwise.

Electrical Connections

Attach supply connections to the light, making sure to wire in accordance with both A.B.Y.C. Standard E-11* and U.S. Coast Guard Safety Standards for Boat Electrical Systems (33 CFR 183)*.

Always use cable of sufficient size to ensure total voltage drop is less than 0.5 volt for a nominal 12 volt installation. Recommended minimum cable size 1.5mm² (No. 16 AWG.).

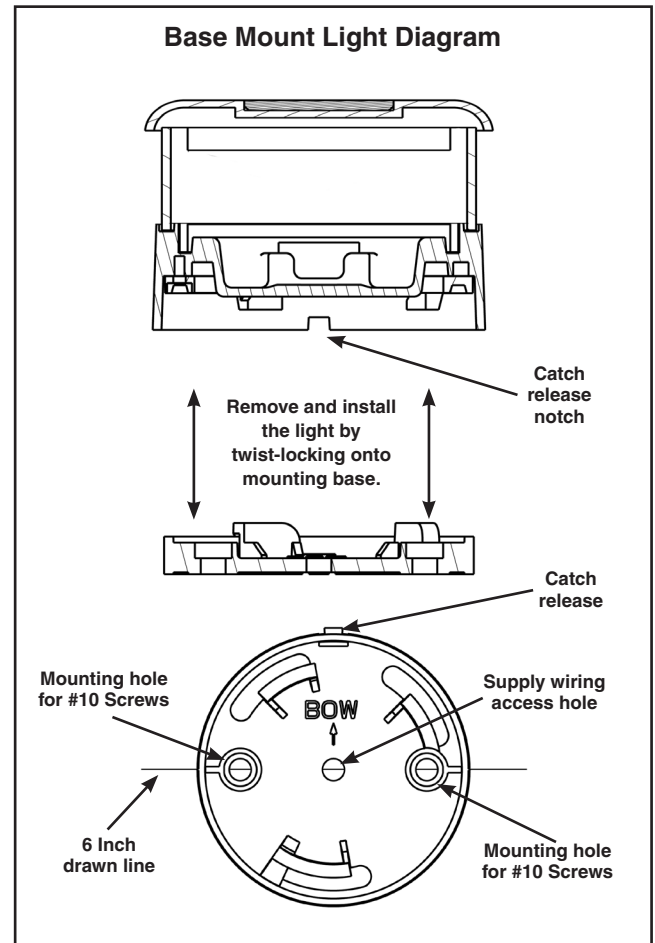
LED - These lights have no user serviceable parts.

Cleaning: Use only fresh water and mild detergents to clean.

* The above referenced Standards can be obtained from.

- (1) American Boat & Yacht Council, Inc. (2) U.S. Coast Guard
613 Third Street, Suite 10 Washington, D.C. 20593
Annapolis, MD 21403 (or your local C.G.
Office)

- (3) International Standards Organization (ISO)
Ch. de Blandonnet 8 • CP 4
CH-1214 Vernier, Geneva, Switzerland



Catalog. Nos:

Retail Pkg:
Black: 0211MB0DPB
White: 0211MB0DPW

Bulk Pkg:
Black: 0211MB0B01
White: 0211MB0W01